

4/2 and 4/3 proportional directional valves, direct operated, with electrical position feedback, without/with integrated electronics (OBE)

RE 29061/11.12
Replaces: 05.12

1/22

Type 4WRE and 4WREE

Size 6 and 10
Component series 2X
Maximum operating pressure 315 bar
Maximum flow: 80 l/min (size 6)
180 l/min (size 10)

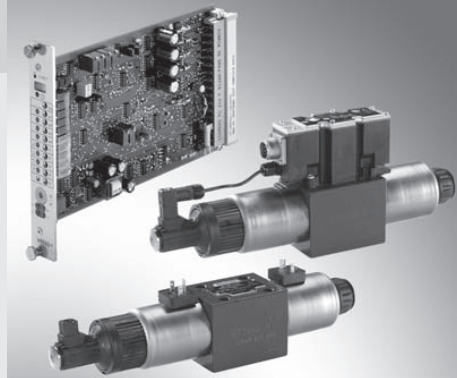


Table of contents

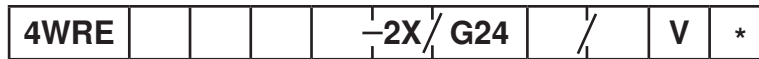
Contents	Page
Features	1
Ordering code	2
Symbols	3
Function, section	4, 5
Technical data	6, 7
Electrical connection, mating connectors	8, 9
Block diagram of the integrated electronics (OBE) for type 4WREE	10
Characteristic curves	11 to 17
Unit dimensions	18 to 22

Features

- Direct operated proportional directional valve with electrical position feedback and integrated electronics (OBE) with type 4WREE
- Control of flow direction and size
- Operation by means of proportional solenoids with central thread and detachable coil
- For subplate mounting: Porting pattern according to ISO 4401
- Spring-centered control spool
- Control electronics
 - Type 4WREE: integrated electronics (OBE) with voltage or current input (A1 and/or F1)
 - Type 4WRE (4/3 version), separate order:
 - digital and analog amplifier in Euro-card format
 - analog amplifier in modular design
 - Type 4WRE...A (4/2 version), separate order:
 - analog amplifier in modular design

Information on available spare parts:
www.boschrexroth.com/spc

Ordering code



Without integrated electronics (OBE)

= no code

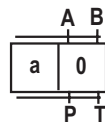
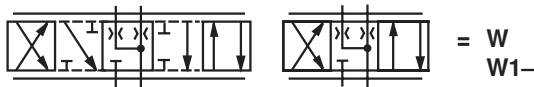
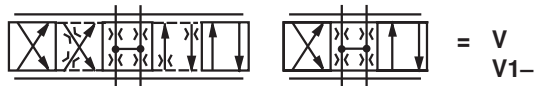
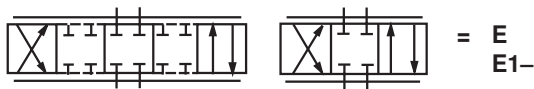
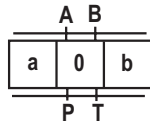
With integrated electronics (OBE)

= E

Size 6 = 6

Size 10 = 10

Control spool symbols



With symbol E1-, V1- and W1-:

P → A: $q_{V \max}$ B → T: $q_V/2$
 P → B: $q_V/2$ A → T: $q_{V \max}$

Notice:

In the zero position, spools W and WA have a connection from A to T and B to T with approx. 3 % of the relevant nominal cross-section.

Further details in the plain text

Seal material
FKM seals ¹⁾

V =

Electronic interface

A1 = Command value ±10 V

F1 = Command value 4 to 20 mA

no code = Type 4WRE

Electrical connection

Type 4WRE:

K4 = Without mating connector, with connector according to DIN EN 175301-803
 Mating connector (solenoid, position transducer), separate order, see page 8

Type 4WREE:

K31 = Without mating connector, with connector according to DIN EN 175201-804
 Mating connector – separate order, see page 9

Supply voltage

G24 = Direct voltage 24 V

2X = 20 to 29
 (20 to 29: unchanged installation and connection dimensions)

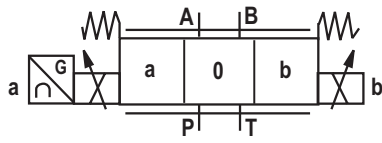
Rated flow at valve pressure differential $\Delta p = 10$ bar

	Size 6
04 =	4 l/min
08 =	8 l/min
16 =	16 l/min
32 =	32 l/min
	Size 10
25 =	25 l/min
50 =	50 l/min
75 =	75 l/min

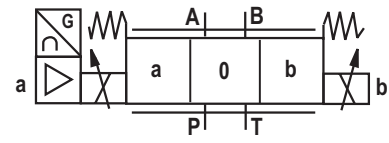
¹⁾ Design SO660 with NBR seals at the valve connection surface

Symbols

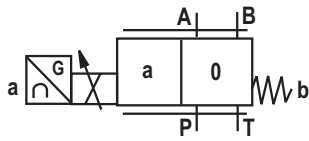
Proportional directional valve without integrated electronics
Type 4WRE...



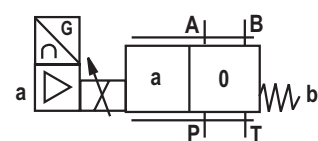
Proportional directional valve with integrated electronics
Type 4WREE...



Type 4WRE...A...



Type 4WREE...A...



Function, section

Type 4WRE ...-2X/...

The 4/2 and 4/3 proportional directional valves are designed as direct operated devices in plate design. Operation is effected by proportional solenoids with central thread and detachable coil. The solenoids are controlled by external electronics.

Set-up:

The valve basically consists of:

- Housing (1) with connection surface
- Control spool (2) with compression springs (3 and 4) and spring plate (5 and 6)
- Solenoids (7 and 8) with central thread
- Position transducer (9)

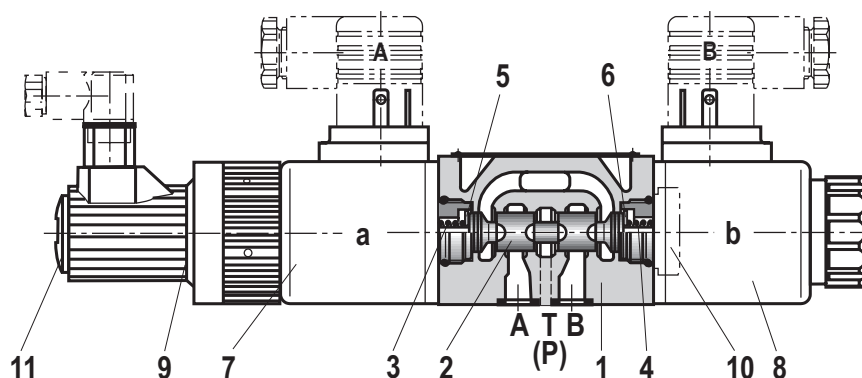
Function:

- With de-energized solenoids (7 and 8), central position of the control spool (2) by compression springs (3 and 4) between spring plates (5 and 6)
- Direct operation of the control spool (2) by controlling a proportional solenoid, e.g. solenoid "b" (8)
 - Displacement of the control spool (2) to the left proportional to the electric input signal
 - Connection from P to A and B to T via orifice-type cross-sections with progressive flow characteristic
- Switching off of the solenoid (8)
 - The compression spring (3) brings the control spool (2) back into the central position

In the de-energized condition, the control spool (2) is held in a mechanical central position by the return springs. With control spool symbol "V", this position does not correspond to the hydraulic central position! When the electric valve control loop is closed, the control spool is positioned in the hydraulic central position.

Important note!

The PG fitting (11) must not be opened. Mechanical adjustment of the adjustment nut located below is prohibited and damages the valve!



Valve with 2 spool positions: (Type 4WRE...A...)

The function of this valve design basically corresponds to the valve with three spool positions. The 2 spool position valves are, however, only equipped with solenoid "a" (7). Instead of the 2nd proportional solenoid, there is a plug screw (10).

Notice!

Due to the design principle, internal leakage is inherent to the valves, which may increase over the life cycle.

Notice!

The tank line must not be allowed to run empty. With corresponding installation conditions, a pre-charge valve (pre-charging pressure approx. 2 bar) is to be installed.

Function, section

Type 4WREE ...-2X/...

The 4/2 and 4/3 proportional directional valves are designed as direct operated devices in plate design. Operation is effected by proportional solenoids with central thread and detachable coil. The solenoids are controlled by the internal electronics.

Set-up:

The valve basically consists of:

- Housing (1) with connection surface
- Control spool (2) with compression springs (3 and 4) and spring plate (5 and 6)
- Solenoids (7 and 8) with central thread
- Position transducer (9)
- Integrated electronics (13)
- Electric zero point adjustment (12) accessible via Pg7

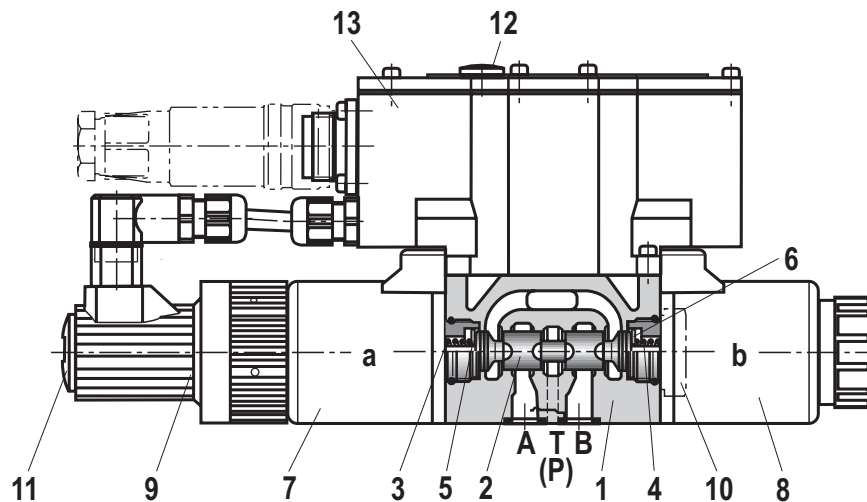
Important note!

The PG fitting (11) must not be opened. Mechanical adjustment of the adjustment nut located below is prohibited and damages the valve!

Function:

- With de-energized solenoids (7 and 8), central position of the control spool (2) by compression springs (3 and 4) between spring plates (5 and 6)
- Direct operation of the control spool (2) by controlling a proportional solenoid, e.g. solenoid "b" (8)
 - Displacement of the control spool (2) to the left proportional to the electric input signal
 - Connection from P to A and B to T via orifice-type cross-sections with progressive flow characteristic
- Switching off of the solenoid (8)
 - The compression spring (3) brings the control spool (2) back into the central position

In the de-energized condition, the control spool (2) is held in a mechanical central position by the return springs. With control spool symbol "V", this position does not correspond to the hydraulic central position! When the electric valve control loop is closed, the control spool is positioned in the hydraulic central position.



Valve with 2 spool positions: (Type 4WREE...A...)

The function of this valve design basically corresponds to the valve with three spool positions. The 2 spool position valves are, however, only equipped with solenoid "a" (7). Instead of the 2nd proportional solenoid, there is a plug screw (10).

Notice!

Due to the design principle, internal leakage is inherent to the valves, which may increase over the life cycle.

Notice!

The tank line must not be allowed to run empty. With corresponding installation conditions, a pre-charge valve (pre-charging pressure approx. 2 bar) is to be installed.

Technical data (For applications outside these parameters please consult us!)

general			
Sizes		Size	6 10
Weight	- Type 4WRE	kg	2.2 6.3
	- Type 4WREE	kg	2.4 6.5
Installation position	Any, preferably horizontal		
Ambient temperature range	- Type 4WRE	°C	-20 to +70
	- Type 4WREE	°C	-20 to +50
Storage temperature range		°C	-20 to +80
MTTF _d values according to EN ISO 13849		Years	150 ¹⁾ (for more information see data sheet 08012)

hydraulic (measured with HLP46, $\vartheta_{\text{Oil}} = 40 \text{ °C} \pm 5 \text{ °C}$ and $p = 100 \text{ bar}$)

Maximum operating pressure	- Port A, B, P	bar	315	
	- Port T	bar	210	
Rated flow $q_{V, \text{rated}}$ with $\Delta p = 10 \text{ bar}$		l/min	4, 8, 16, 32	25, 50, 75
Recommended maximum flow		l/min	80	180
Hydraulic fluid	See table below			
Hydraulic fluid temperature range		°C	-20 to +80 (preferably +40 to +50)	
Viscosity range		mm ² /s	20 to 380 (preferably 30 to 46)	
Maximum admissible degree of contamination of the hydraulic fluid, cleanliness class according to ISO 4406 (c)	Class 20/18/15 ²⁾			
Hysteresis		%	≤ 0.1	
Range of inversion		%	≤ 0.05	
Response sensitivity		%	≤ 0.05	
Zero shift upon change of hydraulic fluid temperature and operating pressure		%/10 K	≤ 0.15	
		%/100 bar	≤ 0.1	

¹⁾ With control spool types E, E1, EA, W, W1, WA; in longitudinal control spool direction, there is sufficient positive overlap without shock/vibration load; observe the installation orientation with regard to the main direction of acceleration.

²⁾ The cleanliness classes specified for the components must be adhered to in hydraulic systems. Effective filtration prevents faults and at the same time increases the service life of the components.

For the selection of the filters see www.boschrexroth.com/filter

Hydraulic fluid	Classification	Suitable sealing materials	Standards
Mineral oils and related hydrocarbons	HL, HLP	NBR, FKM	DIN 51524
Flame-resistant - Containing water	HFC (Fuchs HYDROTHERM 46M, Petrofer Ultra Safe 620)	NBR	ISO 12922

Important information on hydraulic fluids!

- For more information and data on the use of other hydraulic fluids refer to data sheet 90220 or contact us!
- There may be limitations regarding the technical valve data (temperature, pressure range, service life, maintenance intervals, etc.)!
- The flash point of the process and operating medium used must be 40 K higher than the maximum solenoid surface temperature.

- **Flame-resistant – water-containing:** Maximum pressure differential per control edge 175 bar. Pressure pre-loading at the tank port > 20 % of the pressure differential; otherwise, increased cavitation.
Life cycle as compared to operation with mineral oil HL, HLP 50 % to 100 %.

Technical data (For applications outside these parameters please consult us!)**electric**


Size	Size	6	10	
Voltage type		Direct voltage		
Solenoid coil resistance	– Cold value at 20 °C	Ω	2.65	4.55
	– Maximum hot value	Ω	4.05	6.82
Duty cycle	%	100		
Maximum coil temperature ¹⁾	°C	up to 150		
Electrical connection see page 8 and 9	– Type 4WRE	With connector according to DIN EN 175301-803 and ISO 4400		
		Mating connector according to DIN EN 175301-803 and ISO 4400 ²⁾		
	– Type 4WREE	With connector DIN EN 175201-804		
		Mating connector DIN EN 175201-804 ²⁾		
Protection class of the valve according to EN 60529		IP65 with mating connector mounted and locked		

Control electronics

Type 4WRE	4/3 version	Amplifier in euro-card format ²⁾	Digital	VT-VRPD-2-2X/V0/0 according to RE 30126	
			Analog	VT-VRPA2-1-1X/V0 according to data sheet 30119	VT-VRPA2-2-1X/V0 according to data sheet 30119
			Module amplifier ²⁾	Analog	VT-MRPA2-1 according to data sheet 30219
Type 4WRE...A...	4/2 version	Module amplifier ²⁾	Analog	VT-MRPA1-1 according to data sheet 30219	VT-MRPA1-2 according to data sheet 30219
Type 4WREE	Integrated in the valve, see page 9				
	analog command value module	VT-SWMA-1-1X/... according to data sheet 29902			
	analog command value module	VT-SWMAK-1-1X/... according to data sheet 29903			
	analog command value card	VT-SWKA-1-1X/... according to data sheet 30255			
	digital command value card	VT-HACD -1-1X/... according to data sheet 30143			
Supply voltage	Nominal voltage	VDC	24		
	lower limit value	V	19.4		
	upper limit value	V	35		
Current consumption of the amplifier	I_{max}	A	< 2		
	Pulse current	A	3		

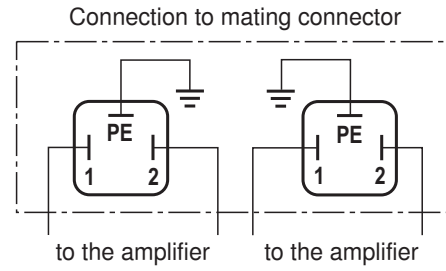
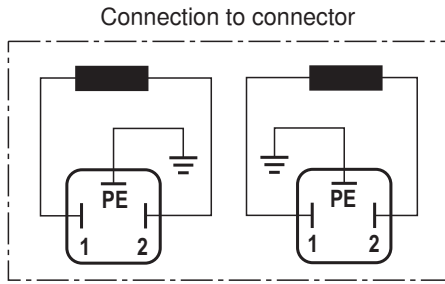
¹⁾ Due to the temperatures occurring at the surfaces of the solenoid coils, the European standards ISO 13732-1 and EN ISO 4413 need to be adhered to!

²⁾ Separate order

 **Notice:** For information on the **environmental simulation testing** for the areas EMC (electromagnetic compatibility), climate and mechanical load see data sheet 29061-U (declaration on environmental compatibility).

Electrical connection, mating connectors (dimensions in mm)

Type 4WRE (without integrated electronics)

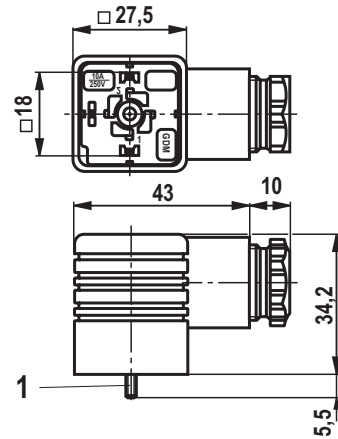


Mating connector CECC 75 301-803-A002FA-H3D08-G according to DIN EN 175301-803 and ISO 4400

Solenoid **a**, color gray separate order under the Material no. **R901017010**

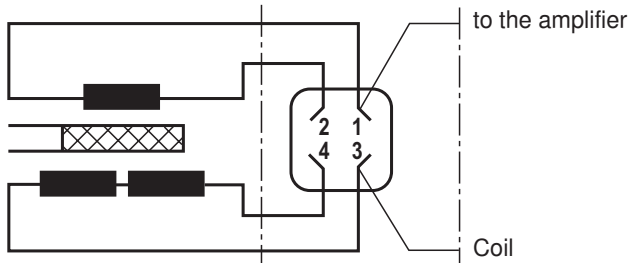
Solenoid **b**, color black separate order under the Material no. **R901017011**

1 Mounting screw M3
Tightening torque $M_A = 0.5 \text{ Nm} + 0.1 \text{ Nm}$

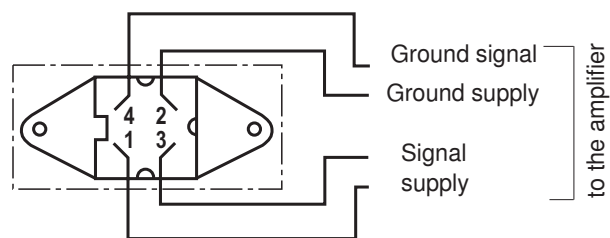


Inductive position transducer

Coil connection



Connection to plug-in connector



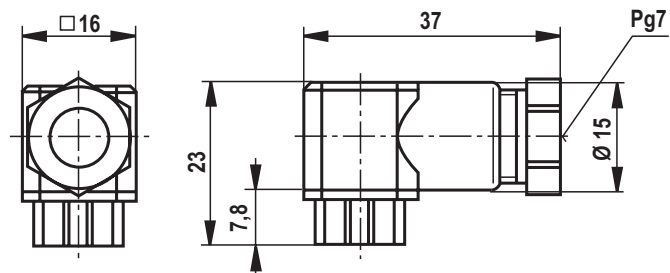
Mating connector 4-pole Pg7-G4W1F separate order under the Material no. **R900023126**

Connection cable:

Recommendation:

up to 50 m cable length type LiYCY 4 x 0.25 mm²

Connect shield to PE only on the supply side.



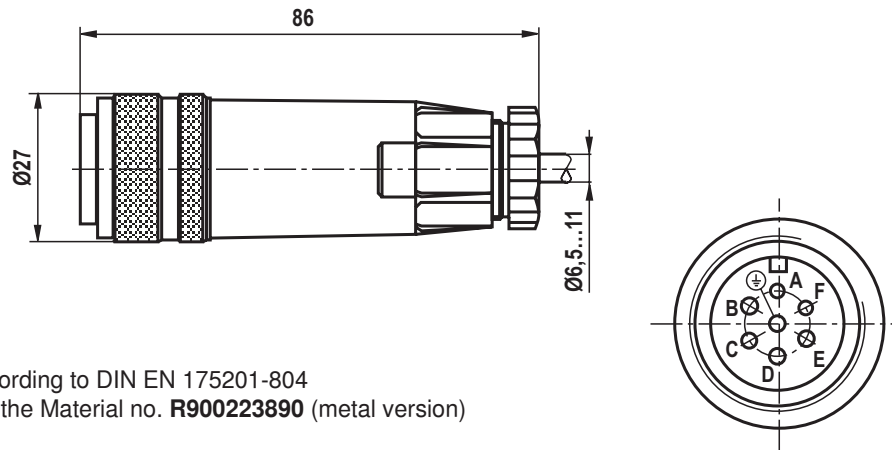
Electrical connection, mating connectors (dimensions in mm)

Type 4WREE (with integrated electronics (OBE))

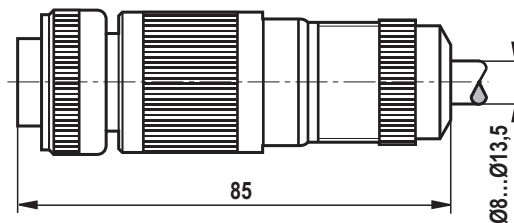
Mating connector according to DIN EN 175201-804
separate order under the Material no. **R900021267** (plastic version)

Angular design – separate order under the Material no. **R900217845**

Pin assignment see also block diagram page 10



Mating connector according to DIN EN 175201-804
separate order under the Material no. **R900223890** (metal version)



Device connector allocation	Contact	Signal with A1 interface	Signal with F1 interface
Supply voltage	A	24 VDC ($u(t) = 19.4$ to 35 V); $I_{\max} = 2$ A	
	B	0 V	
Reference potential actual value	C	Reference contact F; $R_e > 50$ k Ω	Reference contact F; $R_e < 10$ Ω
Differential amplifier input	D	± 10 V command value; $R_e > 50$ k Ω	4 to 20 mA command value; $R_e > 100$ Ω
	E	Reference potential command value	
Measuring output (actual value)	F	± 10 V actual value (limit load 5 mA)	4 to 20 mA actual value, load resistance max. 300 Ω
	PE	Connected to cooling element and valve housing	

Command value: Positive command value 0 to +10 V (or 12 to 20 mA) at D and reference potential at E result in flow from P → A and B → T.

Negative command value 0 to –10 V (or 12 to 4 mA) at D and reference potential at E result in flow from P → B and A → T.

For valves with 1 solenoid on side a (e. g. variant **EA** and **WA**), a positive command value 0 to +10 V (or 4 to 20 mA) at D and reference potential at E result in flow from P → B and A → T.

Actual value: Actual value 0 to +10 V (or 12 to 20 mA) at F and reference potential at C result in flow from P → A and B → T, actual value 0 to –10 V (or 4 to 12 mA) result in flow from P → B and A → T.

With valves with 1 solenoid, a positive actual value 0 to +10 V (or 4 to 20 mA) at F and reference potential at C result in flow from P → B and A → T.

Connection cable: Recommendation: – up to 25 m cable length type LiYCY 7 x 0.75 mm²

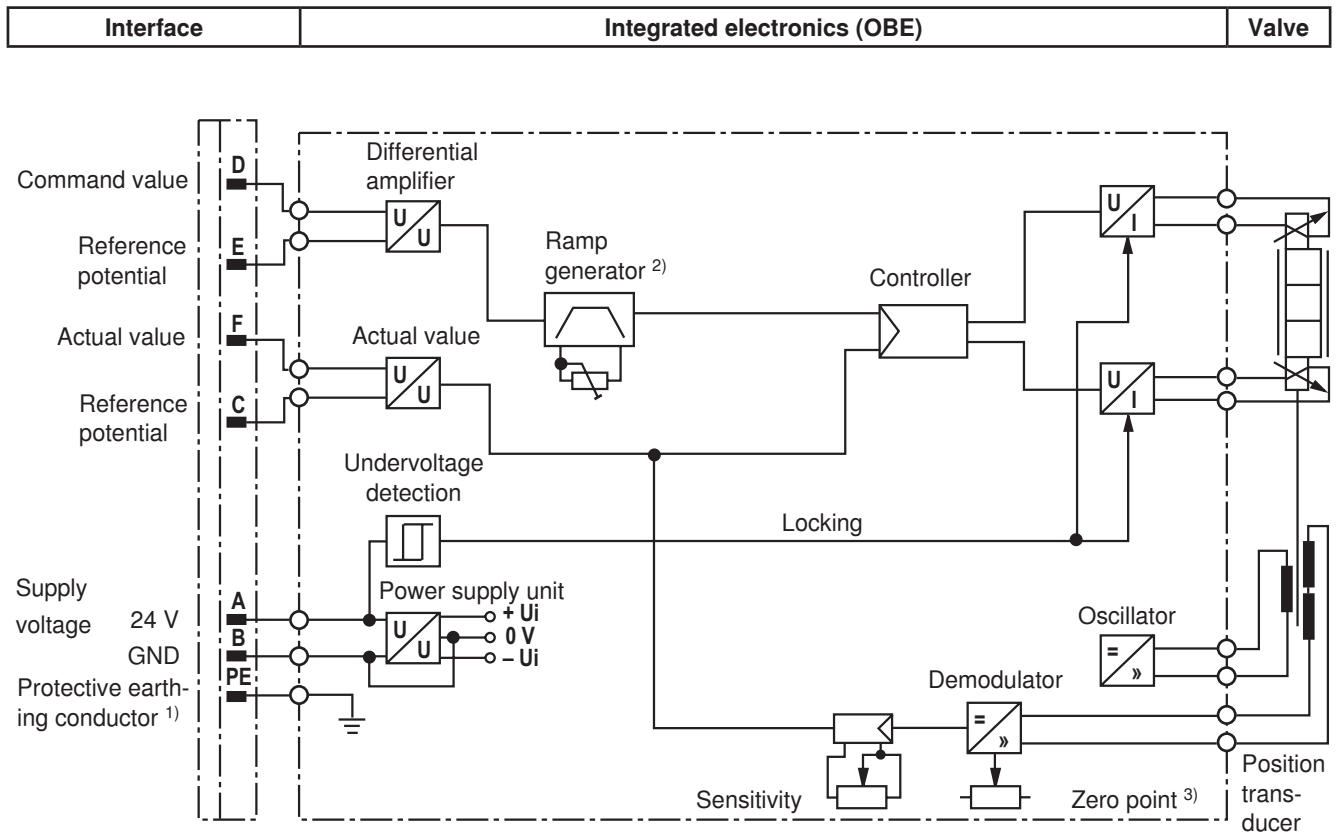
– up to 50 m cable length type LiYCY 7 x 1.0 mm²

External diameter see sketch of mating connector

Connect shield to PE only on the supply side.

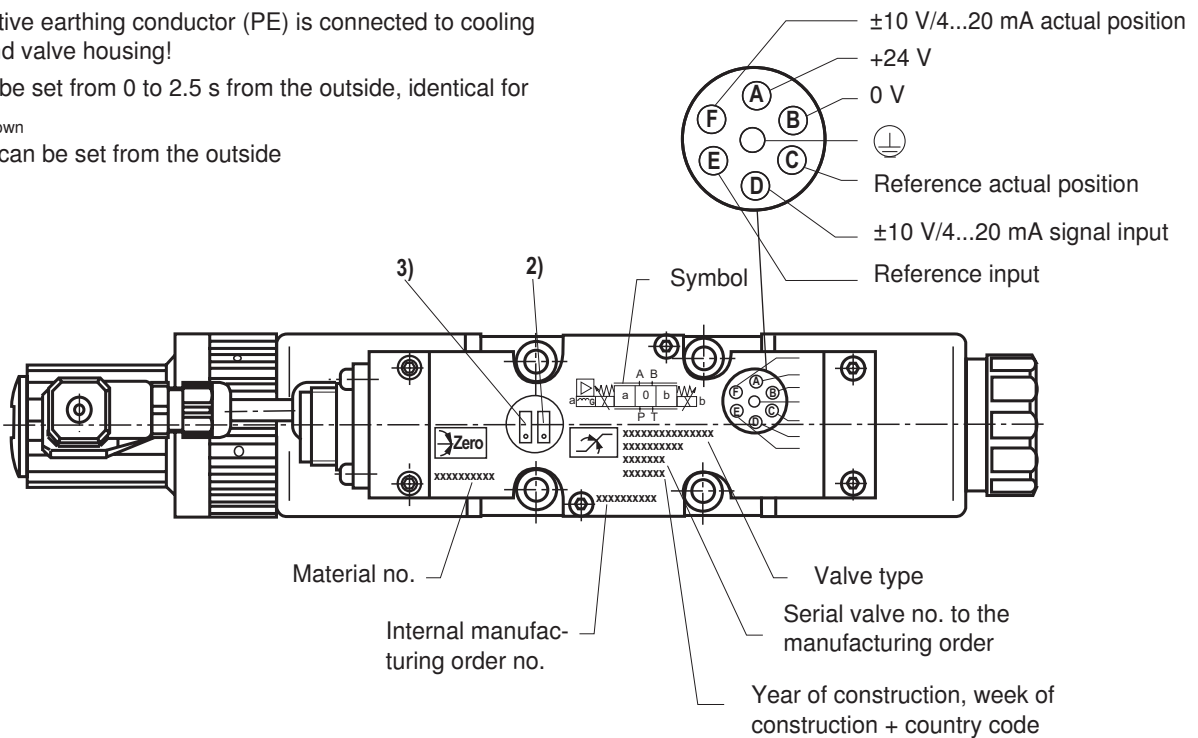
Integrated electronics (OBE) type 4WREE

Block diagram / pin assignment



Notice: Electric signals taken out via control electronics (e.g. actual value) must not be used for switching off safety-relevant machine functions!

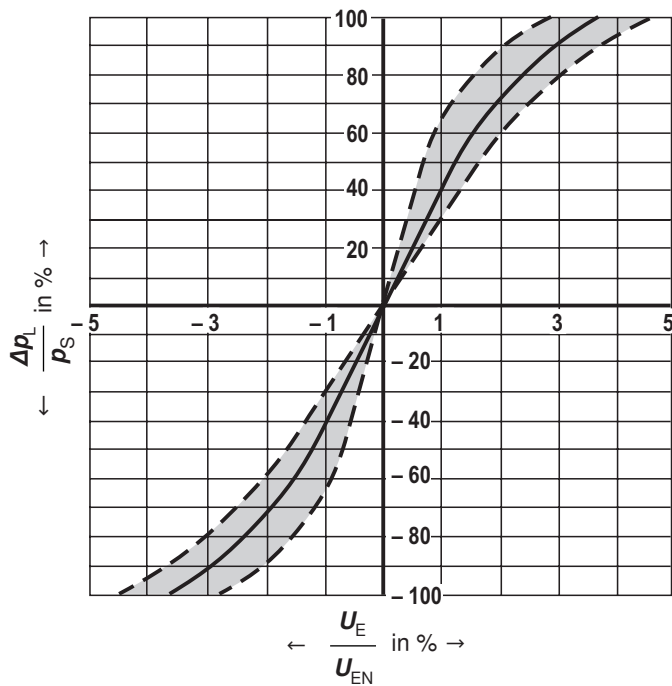
- 1) The protective earthing conductor (PE) is connected to cooling element and valve housing!
- 2) Ramp can be set from 0 to 2.5 s from the outside, identical for T_{up} and T_{down}
- 3) Zero point can be set from the outside



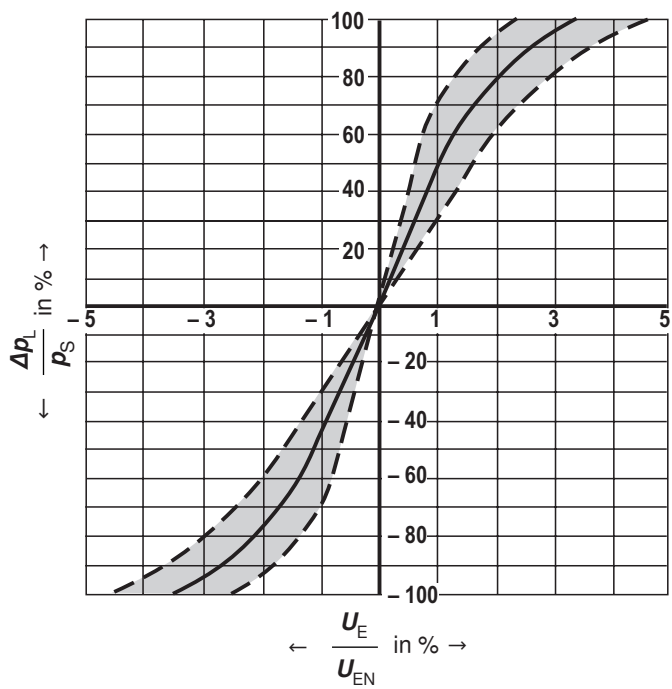
Characteristic curves: Type 4WREE (measured with HLP46, $\vartheta_{\text{Oil}} = 40 \text{ }^\circ\text{C} \pm 5 \text{ }^\circ\text{C}$) Size 6 and 10

Pressure signal characteristic curve (control spool V),
 $p_s = 100 \text{ bar}$

Size 6

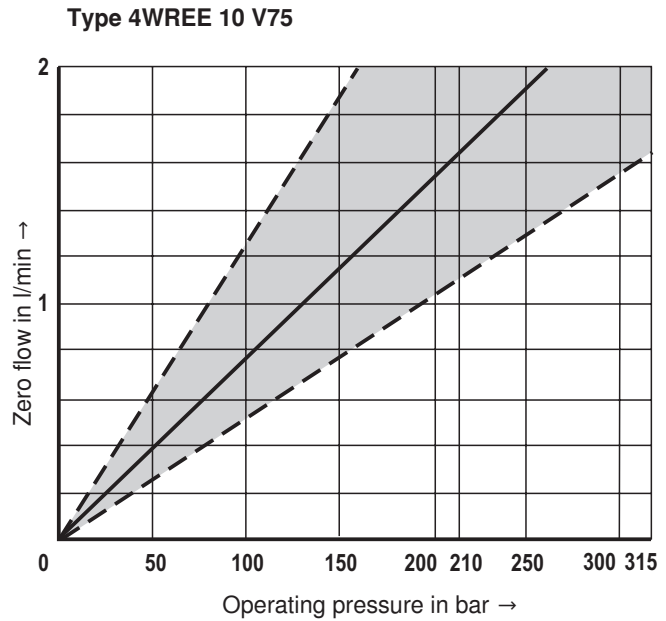
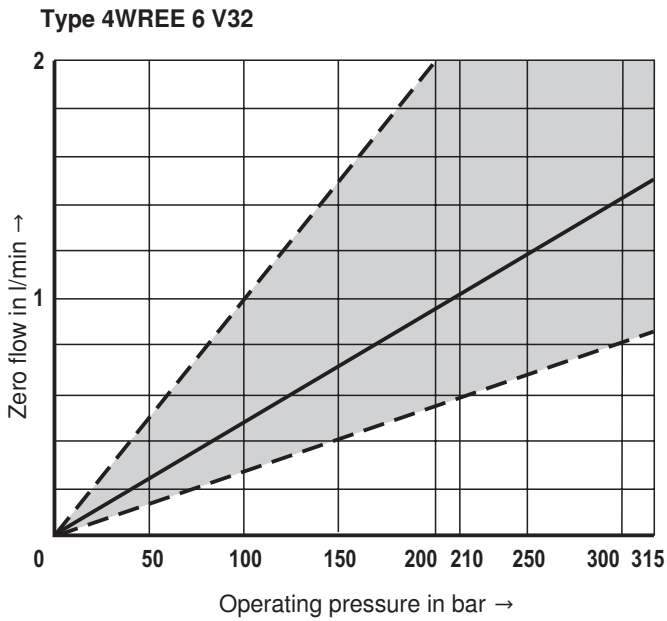


Size 10



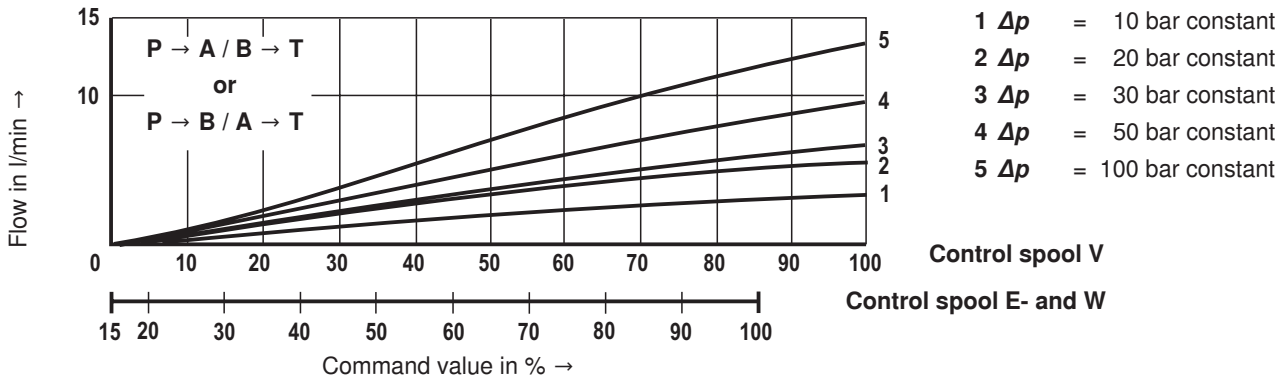
Characteristic curves: Type 4WREE (measured with HLP46, $\vartheta_{Oil} = 40 \text{ }^\circ\text{C} \pm 5 \text{ }^\circ\text{C}$) Size 6 and 10

Zero flow with central control spool position



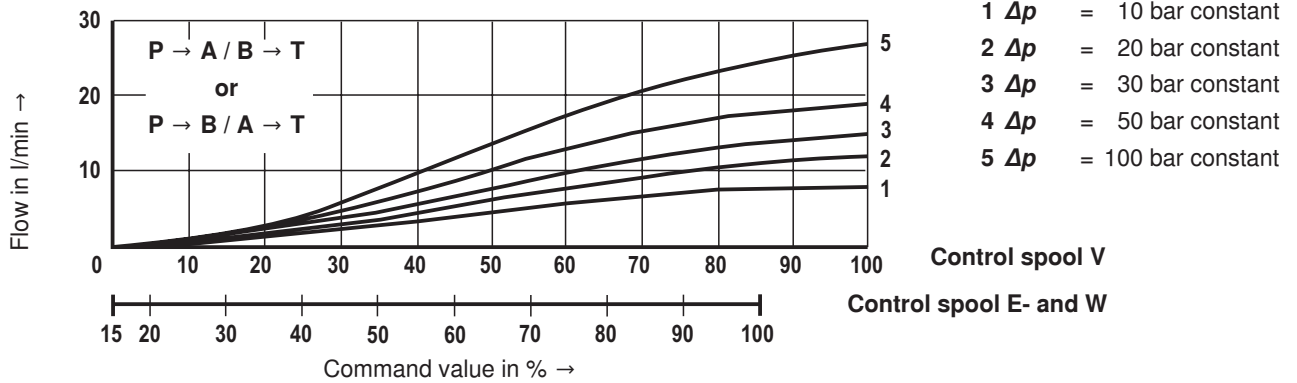
Characteristic curves: Type 4WREE (measured with HLP46, $\vartheta_{Oil} = 40 \text{ }^\circ\text{C} \pm 5 \text{ }^\circ\text{C}$ and $p = 100 \text{ bar}$) Size 6

4 l/min rated flow with 10 bar valve pressure differential

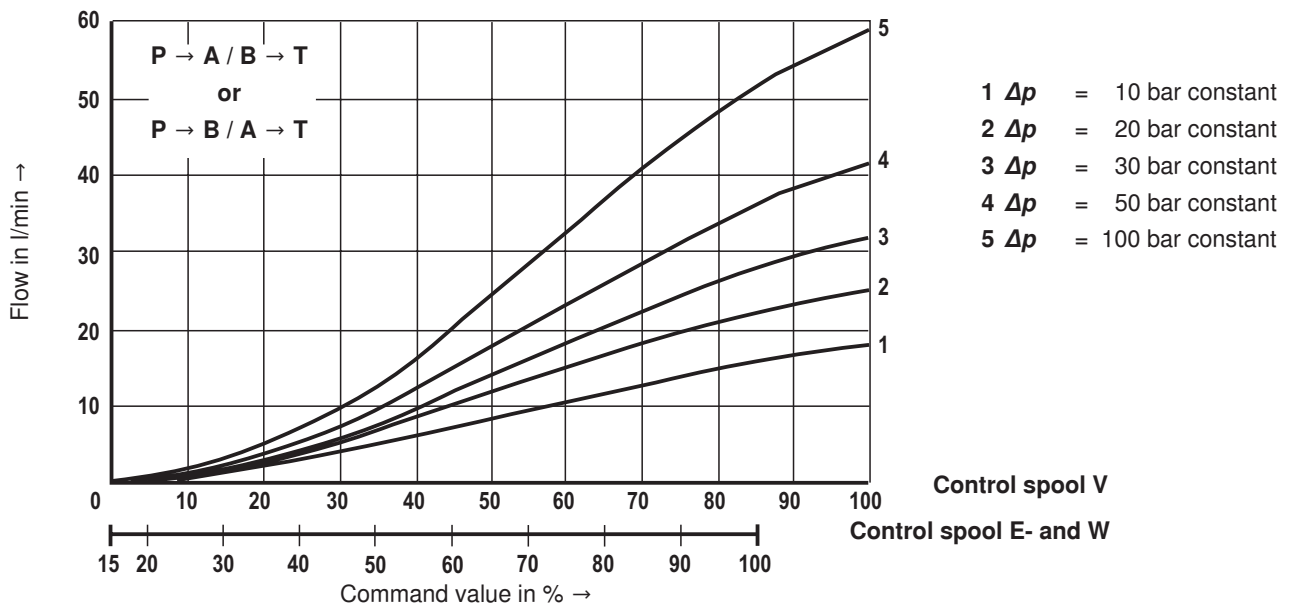


Characteristic curves: Type 4WREE (measured with HLP46, $\vartheta_{Oil} = 40 \text{ }^\circ\text{C} \pm 5 \text{ }^\circ\text{C}$ and $p = 100 \text{ bar}$) Size 6

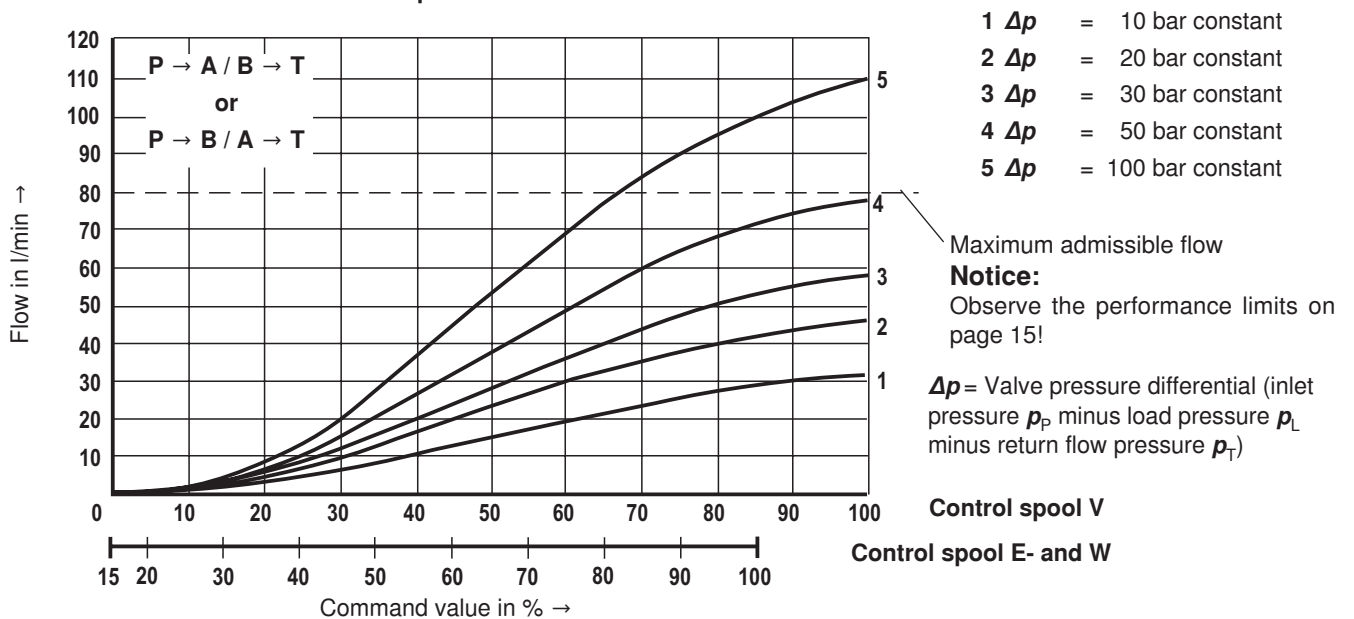
8 l/min rated flow with 10 bar valve pressure differential



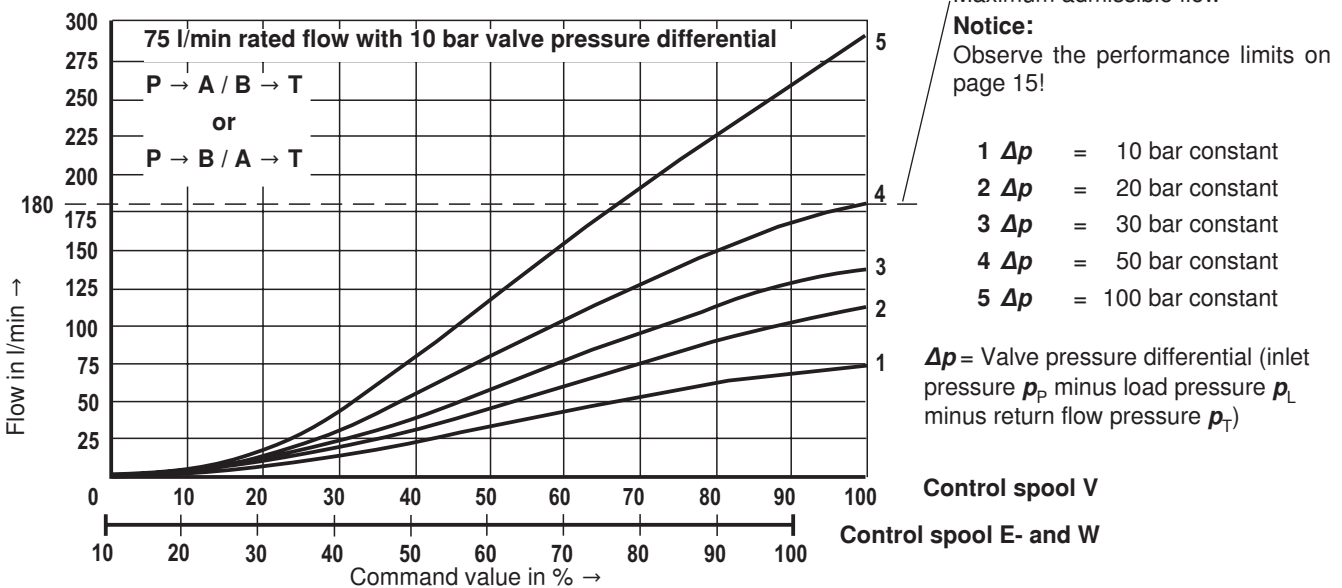
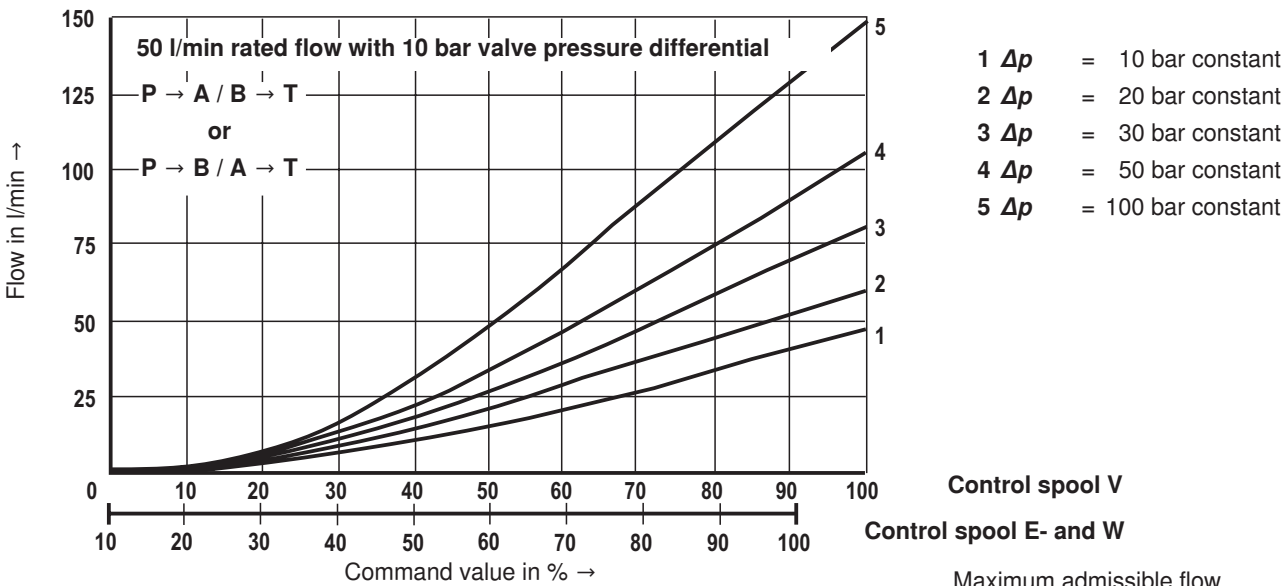
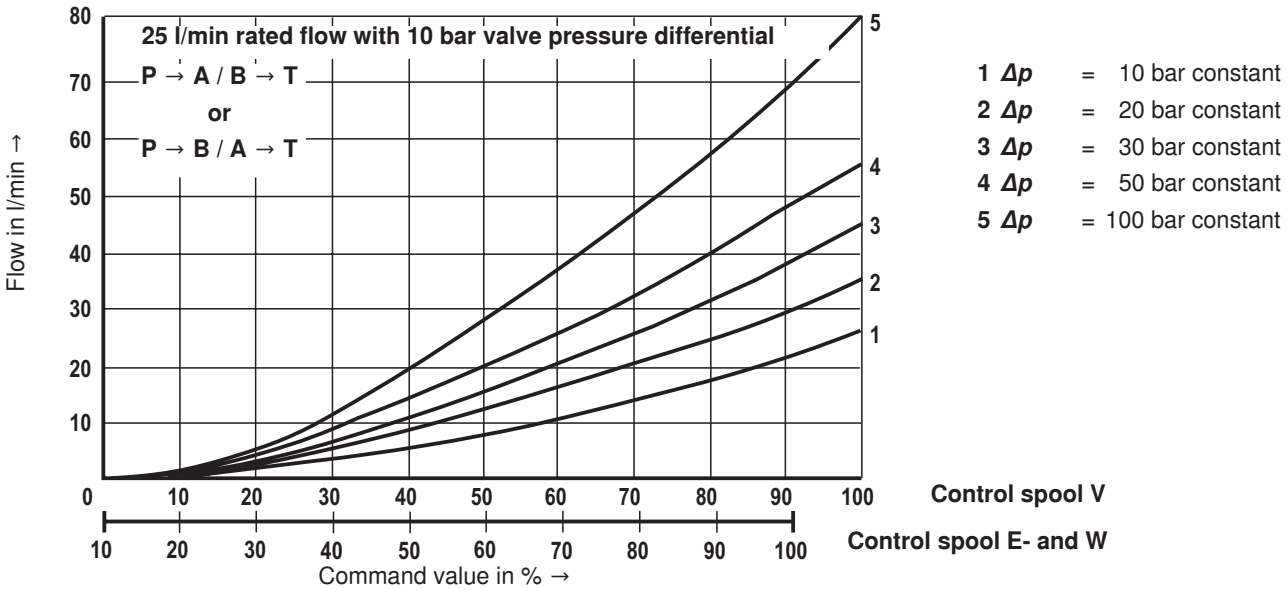
16 l/min rated flow with 10 bar valve pressure differential



32 l/min rated flow with 10 bar valve pressure differential



Characteristic curves: Type 4WREE (measured with HLP46, $\vartheta_{Oil} = 40 \text{ }^\circ\text{C} \pm 5 \text{ }^\circ\text{C}$ and $p = 100 \text{ bar}$) Size 10



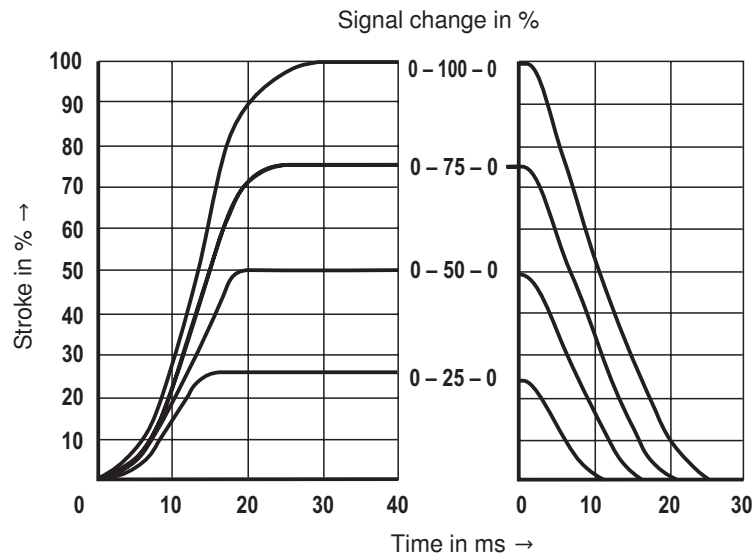
Transition function with stepped electric input signals: Type 4WREE

Size 6

(measured with HLP46, $\vartheta_{Oil} = 40 \text{ }^\circ\text{C} \pm 5 \text{ }^\circ\text{C}$ and $p_s = 10 \text{ bar}$)

4/3 valve version

Control spool E



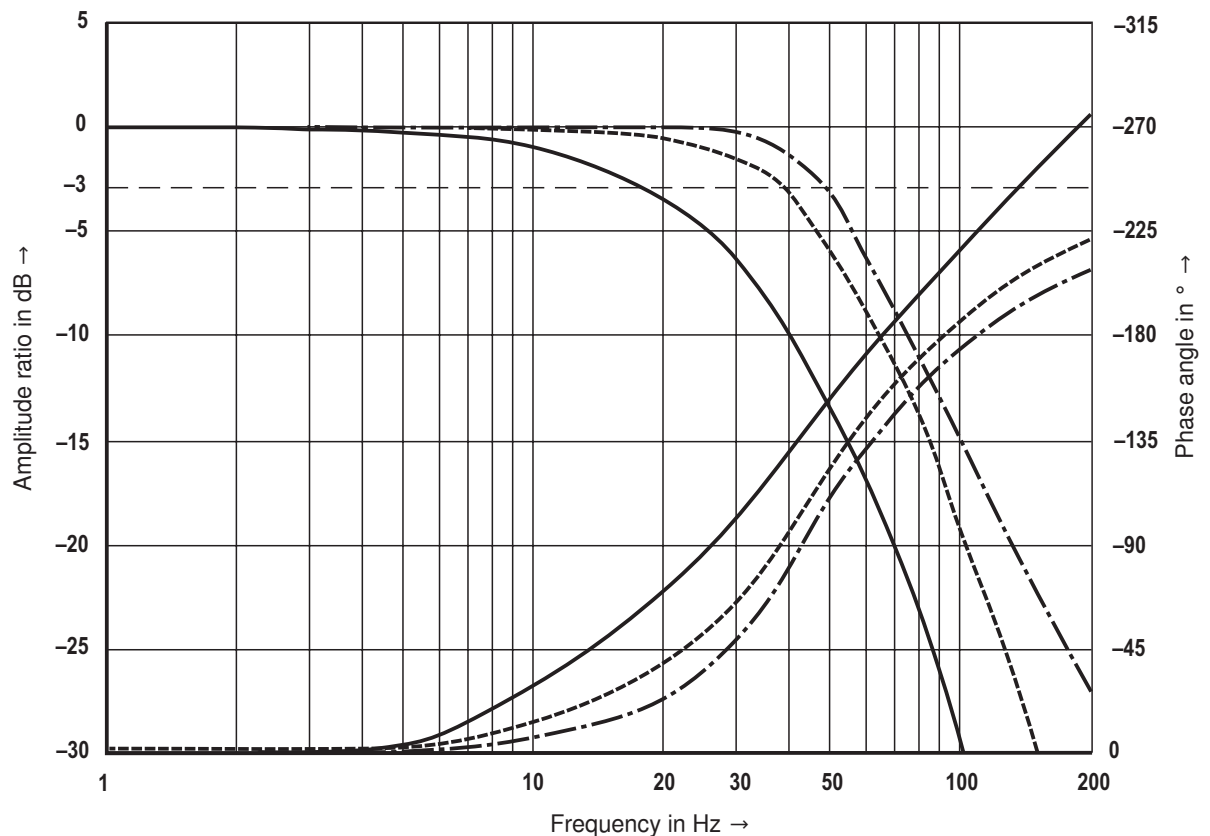
Frequency response characteristic curves: Type 4WREE

Size 6

(measured with HLP46, $\vartheta_{Oil} = 40 \text{ }^\circ\text{C} \pm 5 \text{ }^\circ\text{C}$, $p_s = 10 \text{ bar}$)

4/3 valve version

Control spool V



- · — · — Signal ±10 %
- - - - - Signal ±25 %
- Signal ±100 %

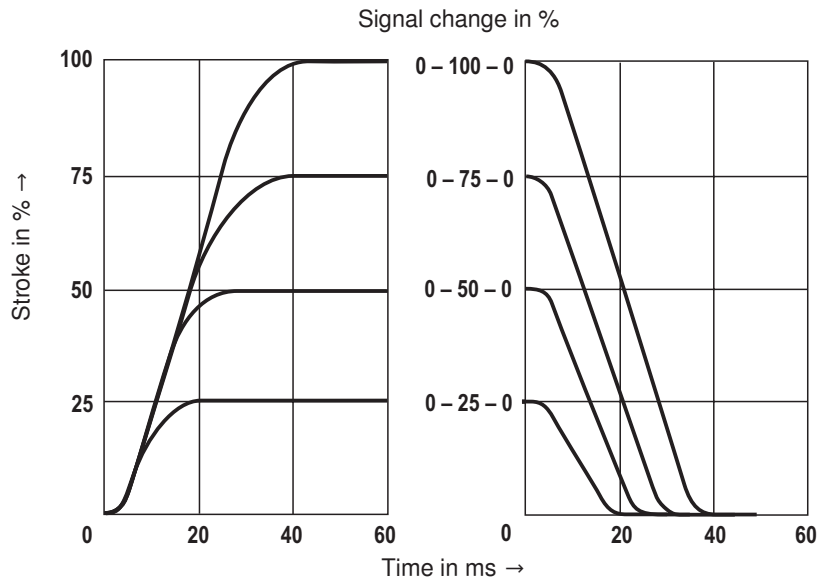
Transition function with stepped electric input signals: Type 4WREE

Size 10

(measured with HLP46, $\vartheta_{Oil} = 40\text{ °C} \pm 5\text{ °C}$ and $p_s = 10\text{ bar}$)

4/3 valve version

Control spool E



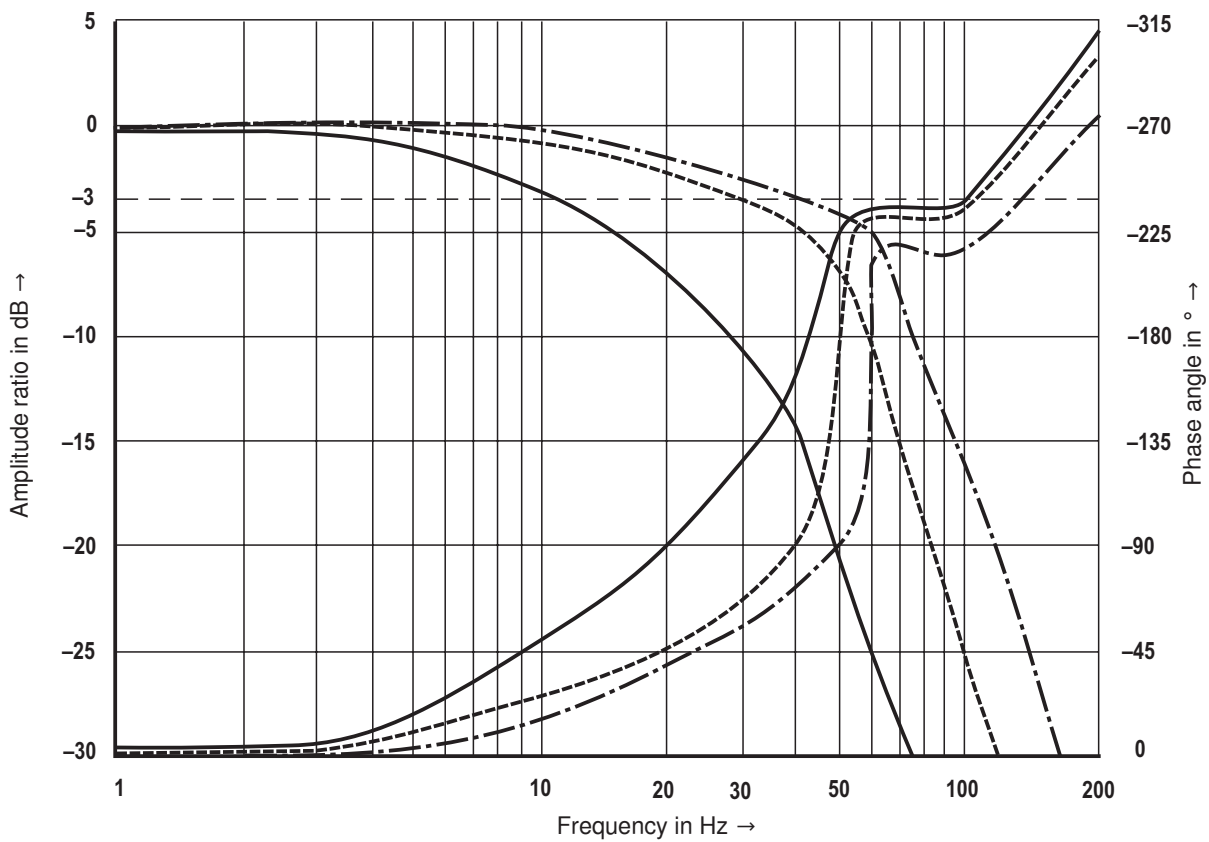
Frequency response characteristic curves: Type 4WREE

Size 10

(measured with HLP46, $\vartheta_{Oil} = 40\text{ °C} \pm 5\text{ °C}$, $p_s = 10\text{ bar}$)

4/3 valve version

Control spool V



- Signal ±10 %
- Signal ±25 %
- Signal ±100 %

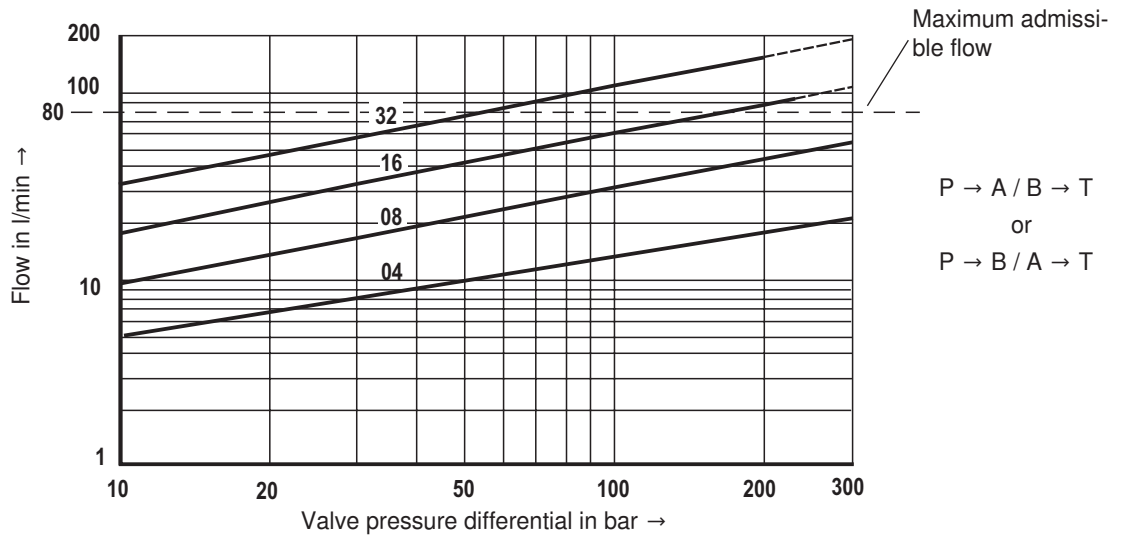
Flow: Type 4WREE (measured with HLP46, $\vartheta_{Oil} = 40\text{ °C} \pm 5\text{ °C}$)

Size 6

Load function with maximum valve opening

Rated flow 4, 8, 16 and 32 l/min

Control spool V



Observe the maximum admissible flow of 80 l/min!

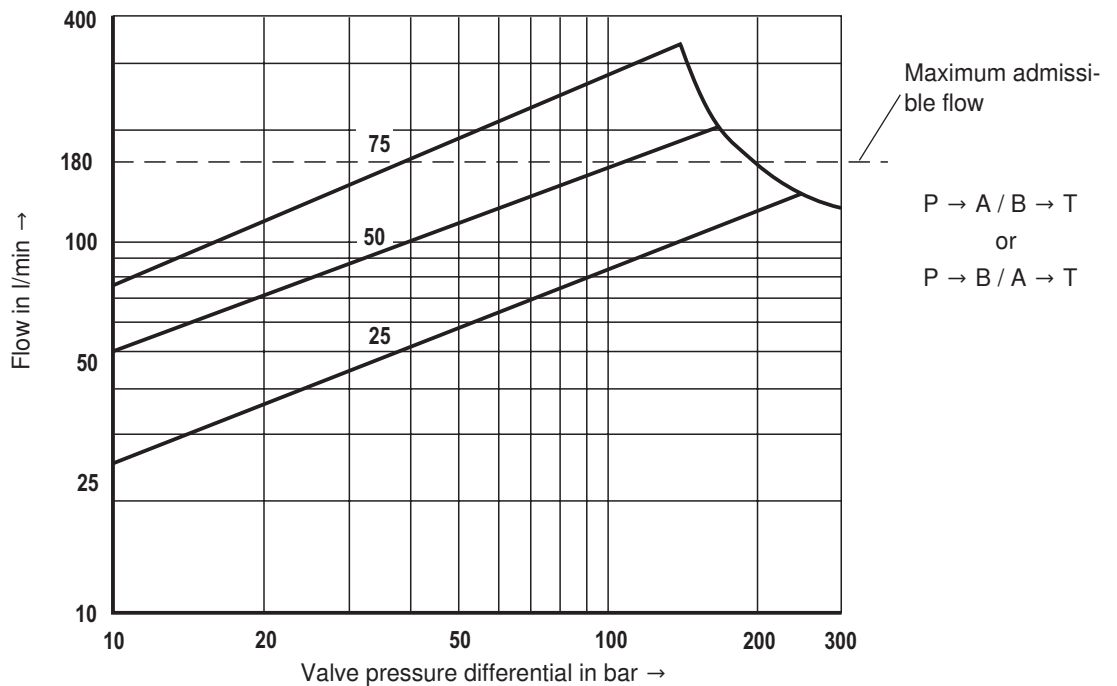
Flow: Type 4WREE (measured with HLP46, $\vartheta_{Oil} = 40\text{ °C} \pm 5\text{ °C}$)

Size 10

Load function with maximum valve opening

Rated flow 25, 50 and 75 l/min

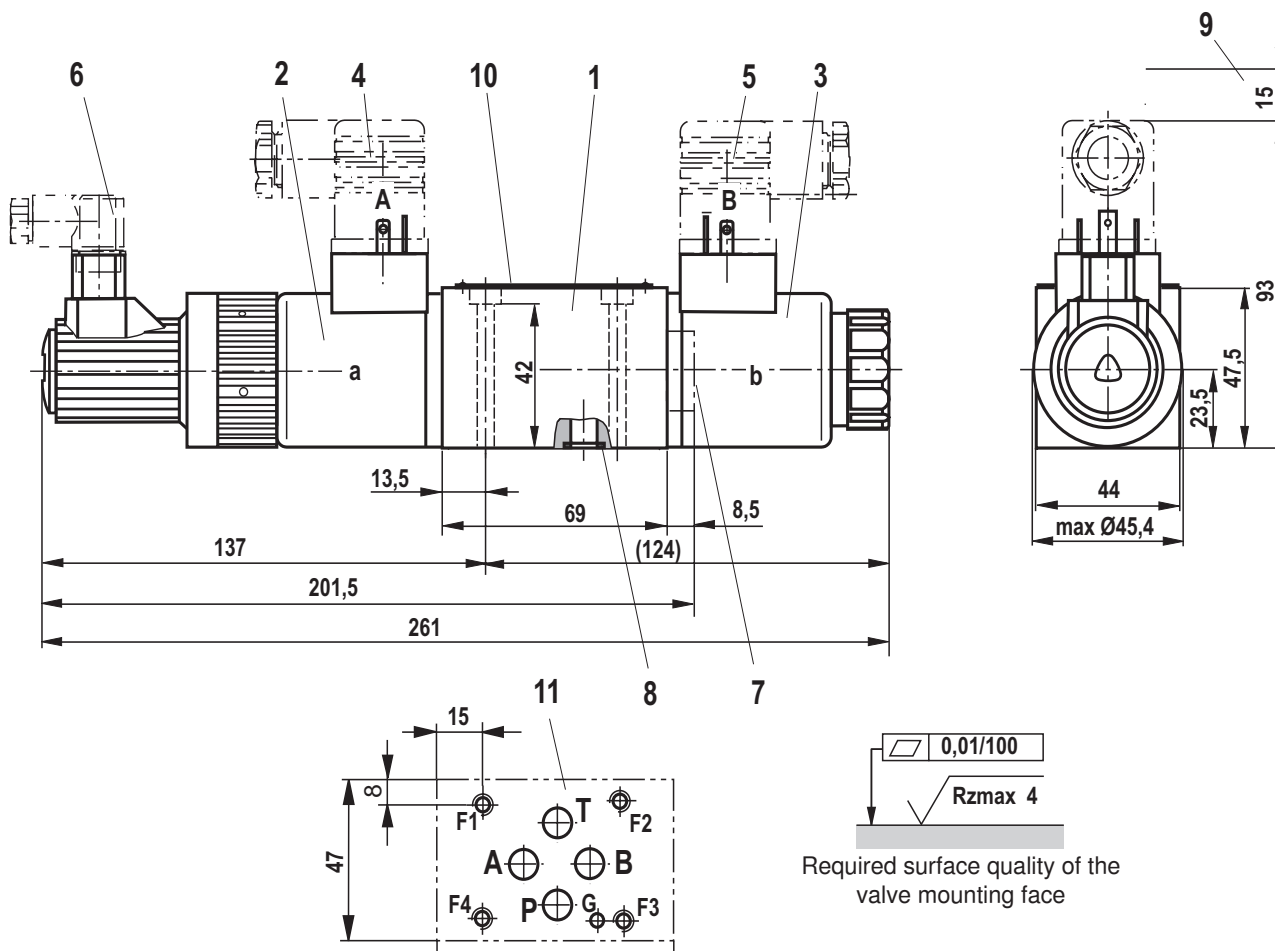
Control spool V



Observe the maximum admissible flow of 180 l/min!

Unit dimensions: Type 4WRE (dimensions in mm)

Size 6

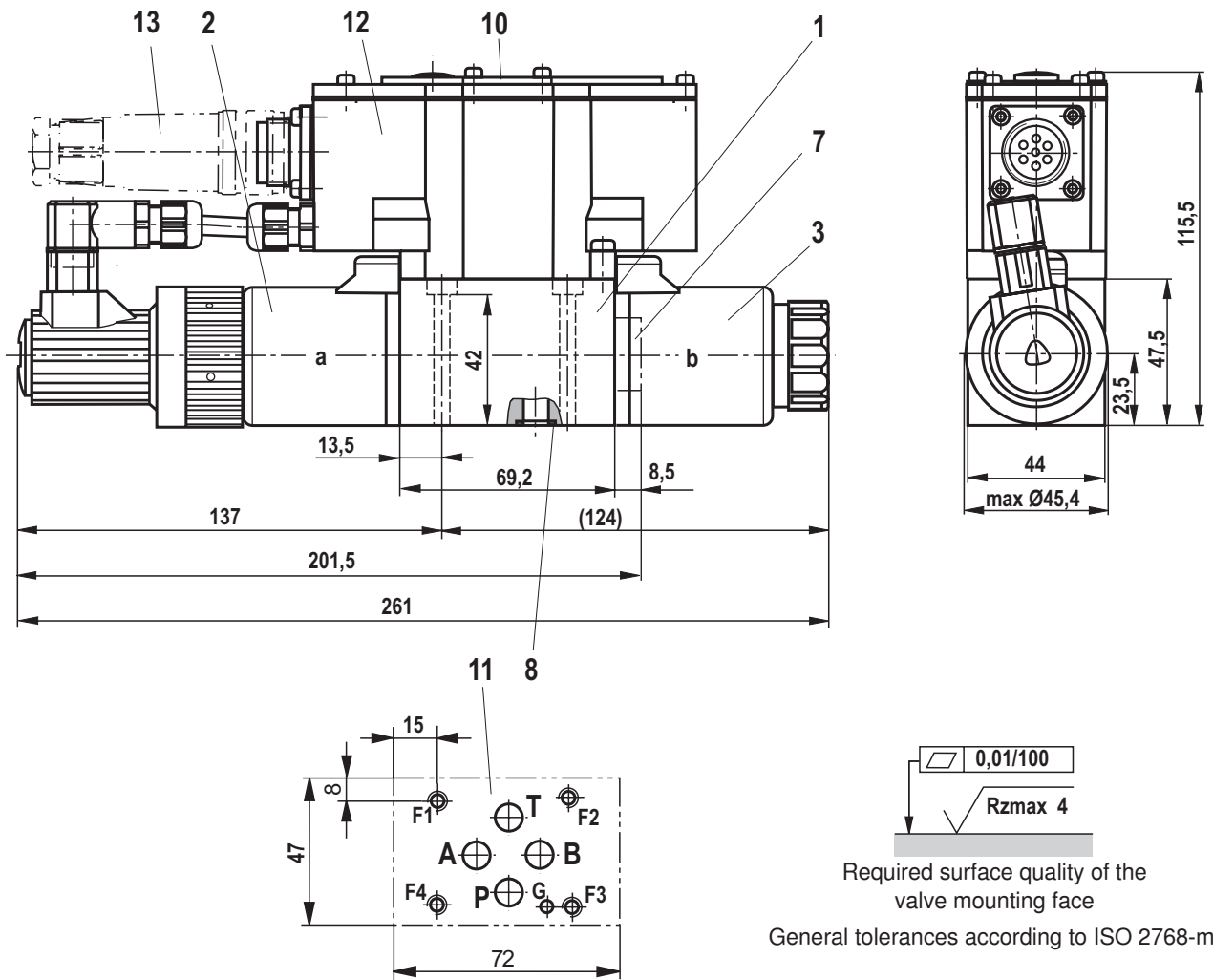


- 1 Valve housing
- 2 Proportional solenoid "a" with inductive position transducer
- 3 Proportional solenoid "b"
- 4 Mating connector "A", color gray, separate order – see page 8
- 5 Mating connector "B", color black, separate order – see page 8
- 6 Mating connector for inductive position transducer, separate order – see page 8
- 7 Plug screw for valve with one solenoid (2 spool positions, version **EA** or **WA**)
- 8 Identical seal rings for ports A, B, P, and T
- 9 Space required to remove the mating connector
- 10 Name plate
- 11 Machined valve mounting face, porting pattern according to ISO 4401-03-02-0-05 (**with** locating hole)
 Deviating from the standard:
 - without locating hole "G"
 - Ports P, A, B and T with Ø 8 mm

Subplates and valve mounting screws see page 22

Unit dimensions: Type 4WRE (dimensions in mm)

Size 6

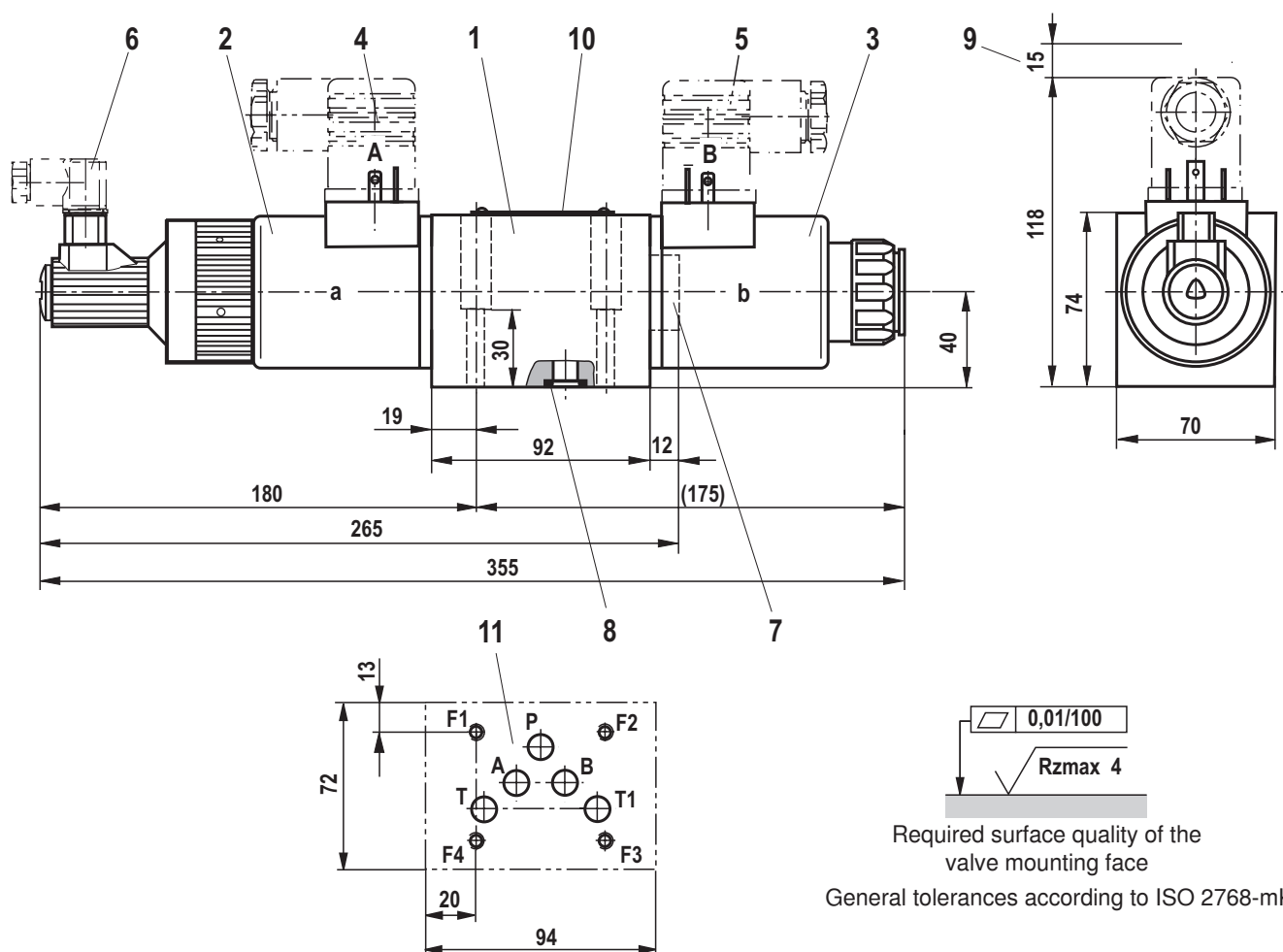


- 1 Valve housing
- 2 Proportional solenoid "a" with inductive position transducer
- 3 Proportional solenoid "b"
- 7 Plug screw for valve with one solenoid
(2 spool positions, version **EA** or **WA**)
- 8 Identical seal rings for ports A, B, P, and T
- 10 Name plate
- 11 Machined valve mounting face,
porting pattern according to ISO 4401-03-02-0-05
(with locating hole)
Deviating from the standard:
 - without locating hole "G"
 - Ports P, A, B and T with \varnothing 8 mm
- 12 Integrated electronics (OBE)
- 13 Mating connector,
separate order – see page 9

Subplates and valve mounting screws see page 22

Unit dimensions: Type 4WRE (dimensions in mm)

Size 10

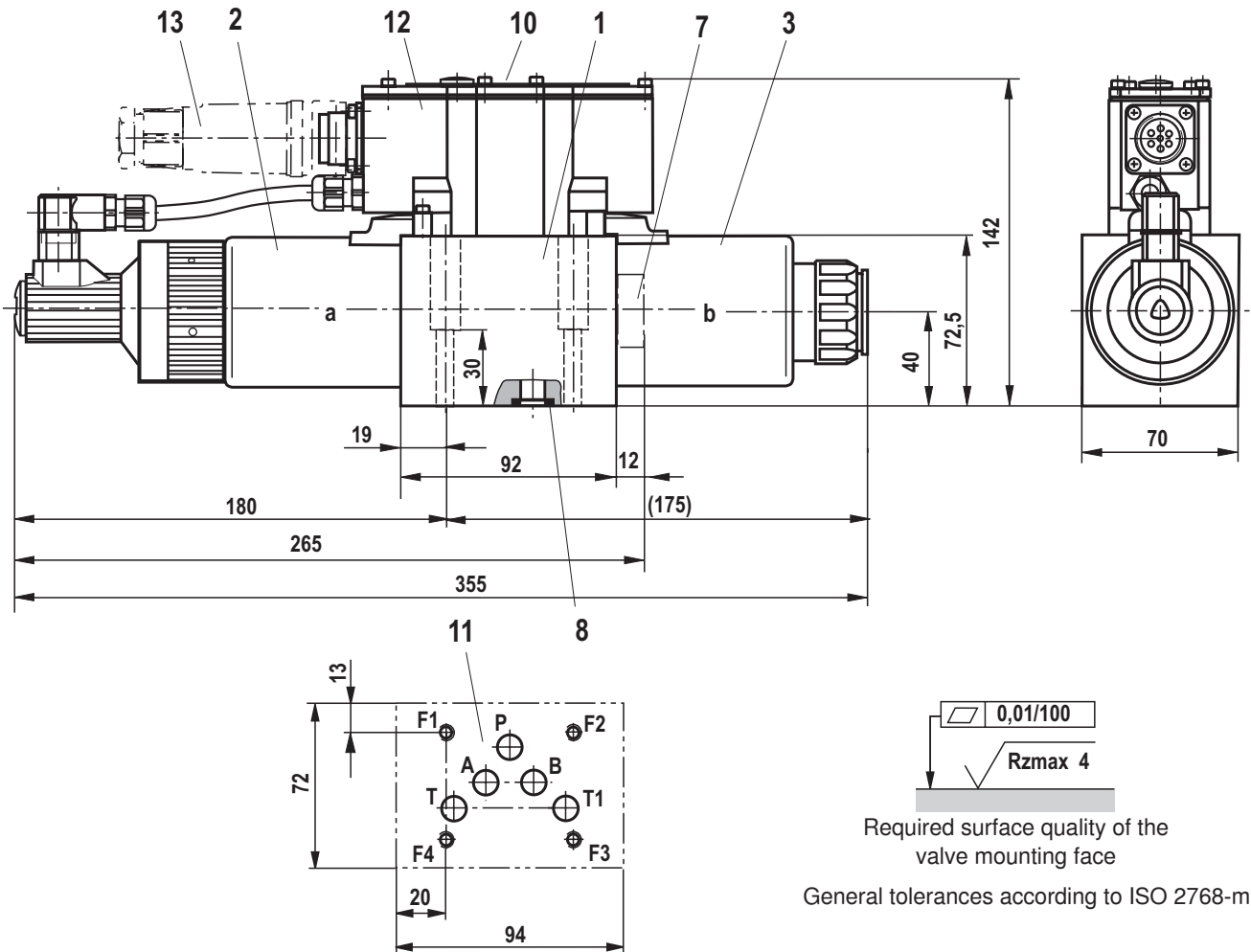


- 1 Valve housing
- 2 Proportional solenoid "a" with inductive position transducer
- 3 Proportional solenoid "b"
- 4 Mating connector "A", color gray, separate order – see page 8
- 5 Mating connector "B", color black, separate order – see page 8
- 6 Mating connector for inductive position transducer, separate order – see page 8
- 7 Plug screw for valve with one solenoid (2 spool positions, version **EA** or **WA**)
- 8 Identical seal rings for ports A, B, P, T and T1
- 9 Space required to remove the mating connector
- 10 Name plate
- 11 Machined valve contact surface, porting pattern according to ISO 4401-05-04-0-05 differing from the standard: Connection T1 \varnothing 11.2 mm

Subplates and valve mounting screws see page 22

Unit dimensions: Type 4WREE (dimensions in mm)

size 10



- 1 Valve housing
- 2 Proportional solenoid "a" with inductive position transducer
- 3 Proportional solenoid "b"
- 7 Plug screw for valve with one solenoid
(2 spool positions, version **EA** or **WA**)
- 8 Identical seal rings for ports A, B, P, T and T1
- 10 Name plate
- 11 Machined valve contact surface,
porting pattern according to ISO 4401-05-04-0-05 differ-
ing from the standard: Connection T1 \varnothing 11.2 mm
- 12 Integrated electronics (OBE)
- 13 Mating connector,
separate order – see page 9

Subplates and valve mounting screws see page 22

Unit dimensions

Hexagon socket head cap screws	Material number
Size 6 4x ISO 4762 - M5 x 50 - 10.9-flZn-240h-L Tightening torque $M_A = 7 \text{ Nm} \pm 10 \%$ or 4x ISO 4762 - M5 x 50 - 10.9 Tightening torque $M_A = 8.9 \text{ Nm} \pm 10 \%$	R913000064
Size 10 4x ISO 4762 - M6 x 40 - 10.9-flZn-240h-L Tightening torque $M_A = 12.5 \text{ Nm} \pm 10 \%$ or 4x ISO 4762 - M6 x 40 - 10.9 Tightening torque $M_A = 15.5 \text{ Nm} \pm 10 \%$	R913000058

Notice: This tightening torque of the hexagon socket head cap screws refers to the maximum operating pressure!

Subplates	Data sheet
Size 6	45052
Size 10	45054

Bosch Rexroth AG
Hydraulics
Zum Eisengießer 1
97816 Lohr am Main, Germany
Phone +49 (0) 93 52 / 18-0
documentation@boschrexroth.de
www.boschrexroth.de

© This document, as well as the data, specifications and other information set forth in it, are the exclusive property of Bosch Rexroth AG. It may not be reproduced or given to third parties without its consent. The data specified above only serve to describe the product. No statements concerning a certain condition or suitability for a certain application can be derived from our information. The information given does not release the user from the obligation of own judgment and verification. It must be remembered that our products are subject to a natural process of wear and aging.

